

**IDentifier V2**

The IDentifier is an infrared (IR) transmitter that is mounted next to the object on display. It triggers the corresponding audio on the Podcatcher. It triggers the corresponding audio on the Podcatcher.

**Specifications**

**Transmitter (01)**

Infrared (IRDA) 850 nm

**Power (02)**

2 x CR2032 lithium coin cell  
(user replacable, after ± 2 years)

**Front (03)**

replaceable front label, full colour,  
customisable artwork

**Physical characteristics**

**Dimensions**

50 x 55 x 10 mm (W x H x D)  
1.97 x 2.17 x 0.39" (W x H x D)

**Weight**

25 gr. / 0.88 oz (including batteries)

**Installation**

**Mounting (04) (05)**

The IDentifier can be firmly mounted using one or two screws, or by using double-sided tape.

**Battery change**

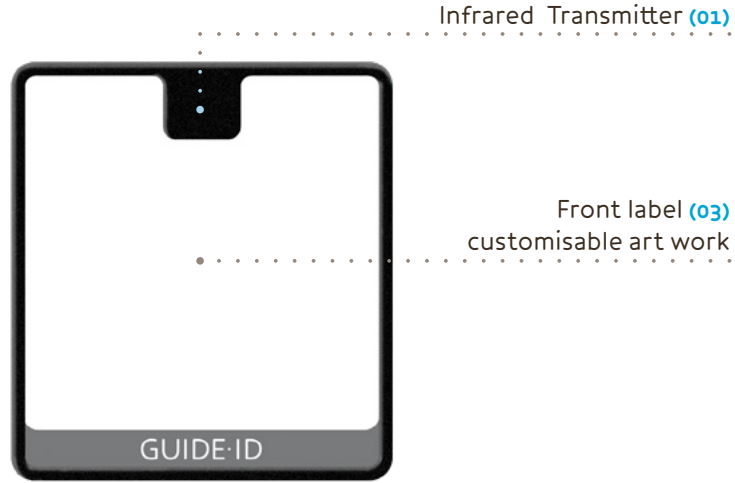
Changing batteries via front

**Infrared (01)**

The infrared signal is coming from the black square on top and should not be covered. It is possible to place the IDentifier behind glass, although this may limit its operating range.

**IDentifiercode (06)**

Sticker with serialnumber, to be linked in Tour Editour.



FRONT

50 mm / 1.97"

10 mm  
0.39"

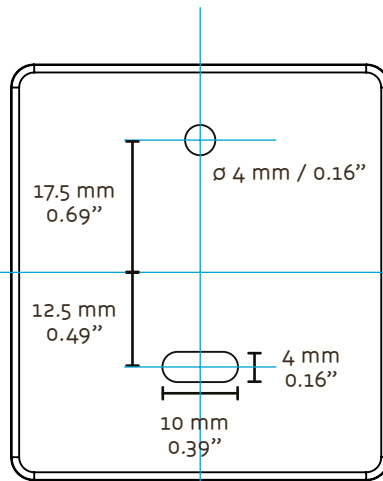


BACK

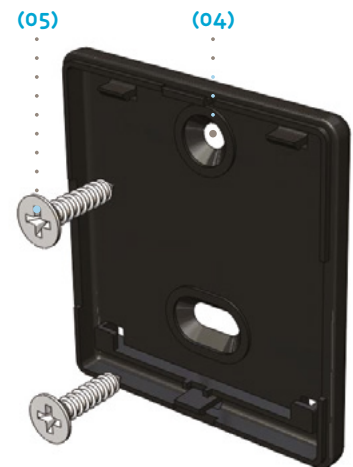
(06)

55 mm / 2.17"

LEFT SIDE



Use flat, countersunk screws



Mounting on a surface

